

# UNGER

Superior Packages. Sweeter Profits.

*Traditional Recipes Deserve  
High Quality Packaging*



**2023**  
**HOLIDAY**  
Buyers' Guide





# Festaville Packages



## Festaville Kwik-Pak Polyprop Bag

- Retains freshness and aroma
- Crystal clear for better visibility
  - Ideal for cookies, candies, brownies, date nut, and other loaf breads
- Mounted on header for quick & easy tear-off and loading

(500/CS)

7x9-2"BG Item#XFPP0709  
8x11-2"BG Item#XFPP0811

\*Including Twistems

## Festaville Carry Out Bags 10" Square Bottom Easily Accommodates 10" cake & pie boxes and other containers

### NEW Paper Shopping Bags

- Paper Twist Handles
- Also available in white and natural kraft  
Item#XFTS1410 (250/CS)

### Plastic Shopping Bags

- Has rigid handles for easy carrying for large volume purchases
  - Made of durable 3.5 mil LDPE
  - Also available in white, "Enjoy" Design & **SUPERSIZED** 14x12x14 bag, big enough to hold a 1/4 sheet cake box  
Item#XFPS1210  
12x10x14" (250/CS)



## Festaville 1/2# Duplex Window Bag

- Polypropylene inner lining for stain resistance & extended shelf life
  - SOS Bottom for easy loading
- Reclosable tin-tie top for maximum freshness
- Versatile-can be used for more than just cookies  
Item#XFDW4209  
4-3/4x2-1/2x9-1/2" (500/CS)

## Festaville Carry Out Bags Hand-Tote Bags

- Jumbo size T-Shirt bags to carry cake boxes and pastry bags
- HDPE with strong handles
- Also available in yellow, pink, and white  
Item#XFHT1323S  
13x10-1/2x23" (500/CS)

**PROTECT YOUR FOODS  
WITH BAKERY-PROVEN  
STAIN RESISTANT  
LINGER BAGS**



## Festaville Grease Resistant (GP) ABC/SOS Bags

- Auto bottom construction for self opening
  - Stands upright for loading
- Protective grease resistant paper to provide freshness retention, superior stain and grease resistance
  - Perfect for cookies, pastries, donuts, croissants, and deli sandwiches

(500/CS)

4 lb. Item#XFGP04 8 lb. Item#XFGP08





# Festaville Automatic Style Boxes



All Unger Automatic Style Festaville Boxes  
Are Made From the Highest Quality Material

SBS board, assuring you and your customers maximum protection. Plus, all are pop-up, automatic construction for faster set up and faster loading.



## Festaville Cookie Boxes

- Ideal for fancy cookies, petit fours, and candy
  - Traditional winter scene holiday design
    - Large uniquely shaped window
    - Made of high quality SBS board
- Polylined for stain resistance & freshness retention
  - Refrigerator and freezer friendly
- Auto construction & easy lock tabs for fast setup

1/2 lb. 7-1/2 x 4-1/2 x 1-1/2"

Item#XFCK0745S250 (250/CS)

Item#XFCK0745S (500/CS)

1 lb. 8-1/2 x 5-3/8 x 2"

Item#XFCK0852S (350/CS)

2 lb. 11-3/4 x 5-1/2 x 2-1/2"

Item#XFCK1152S (250/CS)

## Festaville Ungeromatic Carry Out Boxes

- Multi-purpose with maximum versatility for a wide range of foods
- Available both window and non-window
  - Auto construction & easy locks for fast setup
- Made of high quality SBS board
- Refrigerator & freezer friendly

### Window

8x8x3" Item#XFWB0883 (250/CS)

9x9x3" Item#XFWB0993 (200/CS)

10x10x3" Item#XFWB1010 (200/CS)

### Non-window

8x8x3" Item#XFUN0883 (250/CS)

9x9x3" Item#XFUN0993 (200/CS)

10x10x3" Item#XFUN1010 (200/CS)



OUR TRADITIONAL WINTER SCENE  
RED & GREEN FESTAVILLE DESIGN  
WILL ATTRACT CUSTOMERS  
THIS HOLIDAY SEASON







# Elegant Party Platters



**Domes are Extra Strong for Stack-ability and Won't Pop Off**



## Elegant Party Platters

- Perfect for cookie, pastry and deli trays
- Very rigid, heavy duty platters and lids
  - Stackable
  - Available in clear and red
  - Sizes: 9, 11, 12, 14, 16, 18
  - Strong air tight seal, snap-on locking lid optional
- Over wrap with Cel-U-Wrap and a ribbon for gift look

Please see price list for all sizes available

## Give Your Bottom Line a Much Needed Boost..

...with our high quality cost effective party platters. Rigid plastic trays present an elegant crystal-like appearance. Use for fancy cookies, gourmet candy, petit fours, pastries, special cakes and deli party platters.

## Square

### Platters & Domes

- Pre-pack for impulse purchases
- Clear dome for product visibility
  - Black heavy-duty base

#### Platters

- 12" Item#FLSQ5212PPBK (25/CS)
- 14" Item#FLSQ5414PPBK (20/CS)
- 16" Item#FLSQ51616PPBK (20/CS)

#### Domes

- 12" Item#FLDDSQ1212.L (50/CS)
- 14" Item#FLDDSQ1414L (40/CS)
- 16" Item#FLDDSQ1616L (40/CS)





# Scalloped Party Trays



## 12" Tray & Dome

Tray Item#FL0012CL (70/CS) Holds 2.5-3 lbs.  
Dome Item#FL9201L (25/CS) 3.5" Height

**AVAILABLE  
WITH  
DOMES**

**9" Tray (120/CS)**  
Item#FL0009CL  
Dome  
Item#FLDD9209.L



## 10-¼" Tray

Item#FL0010CL  
Holds 2-2.5 lbs. (110/CS)  
Dome Item#FLDD9680.L



## Scalloped Party Trays

- Crystal looking plastic
- Sizes: 9", 10.25", and 12"
- Perfect for cookie, pastry and deli trays
- Scalloped edge for traditional appearance
- Wrap the tray with festive Cel-U-Wrap for any occasion



## Crystal Clear Containers Make Beautiful Gift Packages

- Available with metal bottoms.  
Full view of product.

### Silver Metal Bottoms

6x1" Item#AC0601 (192/CS)  
6x2" Item#AC0602 (96/CS)  
7-3/16 x 2-½" Item#AC0725 (72/CS)

## 6" Round Clear Container

clear bottom  
w/gold pad inside  
6-1/4 x 2-1/4 (100/CS)  
Item#UNCLRND62G







# Cookie Boxes

All with automatic style construction for fast and easy setup, loading, and closing with locking tabs

**GIFT QUALITY BOXES  
IDEAL FOR HOLIDAY  
AS WELL AS  
YEAR-ROUND**



## Silver & Gold Rhapsody Window Cookie Box

- 1/2 lb. Item#XCK0745SR (500/CS)  
7-1/2x4-1/2x1-1/2"
- 1 lb. Item#XCK0852SR (350/CS)  
8-1/2x5-3/8x2"
- 2 lb. Item#XCK1152SR (250/CS)  
11-3/4x5-1/2x2-1/2"

## Rhapsody Window Cookie Box

- Available in silver & gold or festive red & green
- Made of high quality SBS board
- Polylined for grease resistance and freshness retention
- Rhapsody window

## Red & Green Rhapsody Window Cookie Box

- 1/2 lb. Item#XCK0745S3 (500/CS)  
7-1/2x4-1/2x1-1/2"
- 1 lb. Item#XCK0852S3 (350/CS)  
8-1/2x5-3/8x2"
- 2 lb. Item#XCK1152S3 (250/CS)  
11-3/4x5-1/2x2-1/2"



## 1 lb. Foil Cookie Boxes

- Made of high quality SBS board with laminated foil
- Waterfall window
- Green Tree has a beautiful tree-shaped window

8 x 5-3/4 x 2-1/2 (250/CS)  
Silver Item#SILVCKIE  
Gold Item#GOLDCKIE  
Red Item#REDCKIE  
Green Tree Item#GRNTREE

**Great for Cookies, Candies,  
Truffles, and Petit Fours**

# IDEA

**DECORATIVE PULL BOWS  
ARE AN EASY WAY TO TURN  
ANY FOODS INTO GIFTS**







# Specialty Cake Boxes



## Log Cake Box

- Made of high quality grease and stain resistant board
  - Refrigerator and freezer friendly
  - Available with or without window
- Gold foil pads available \*sold separately
  - 12x6x6 Log Cake Box & Pads (125/CS)
  - Window Log Cake Box Item#WLC1266
  - Non-Window Log Cake Box Item#LC1266
  - Gold Foil Pad Item#CPFLG1G

16x6x6 Log Cake Box & Pads (125/CS)  
 Window Log Cake Box Item#WLC1666  
 Non-Window Log Cake Box Item#LC1666  
 Gold Foil Pad Item#CPFLG2G



## The Tall Boy Box

- Perfect to show off your gingerbread houses, doll cakes and other tall cake specialties
- SBS is refrigerator and freezer friendly
- Special square gold foil pad available

12x12x11-3/4" (50/CS)  
 Window Tall Boy Box Item#WB1212U  
 Non-Window Tall Boy Box Item#TB1212U

Tall Boy Gold Foil Pads Item#CPF1212  
 11-3/4x11-3/4" (50/CS)



**BAKE & SERVE  
 WITH OUR  
 BAKE-IN-BOX**



## Bake-In-Box

- Bake directly in treated oven-safe SBS bottom tray
  - No pans to wash & quicker to decorate
    - Slice & serve from the box
- Large double scalloped window for great visibility
- Optional pad for added grease & stain resistance.

Bake-In-Box Item#BB1633U  
 16x3-3/4x3" (125/CS)

Bake-In-Box Pads Item#BBPADMED  
 15-3/4x3-11/16" (125/CS)



## Stollen Polyethylene Bags

- An elegant 4 color bag (Printed Red, Green, White & Gold) & cost-effective way to display & protect your Stollen.
- For larger (1-1/2 lbs.) size, sturdy grease resistant pad available.
- Mounted on header for fast & easy loading

Stollen Bags w/Twistems  
 8x14-1/2" Item#XPE0814 (500/CS)  
 8-1/4x20" Item#XPE0820BAG (300/CS)  
 8-1/4x20" w/GP Pad Item#XPE0820 (300/CS)

ASK ABOUT OUR CAKE DECORATING DESIGN IDEAS!







# Cupcake Cups and Boxes

To show off your holiday cupcakes!

Foil cups can be baked-in and are made of grease resistant paper

## Foil Cups (1000/CS)

7/8x1-1/4" Item#CUP3000-SILVER  
2x1-1/4" Item#CUP4500-SILVER  
7/8x1-1/4" Item#CUP3000-GOLD  
2x1-1/4" Item#CUP4500-GOLD  
7/8x1-1/4" Item#CUP3000-RED  
2x1-1/4" Item#CUP4500-RED



## 2 Count Cupcake Waterfall Window Box w/Adjustable Insert

- Made of high quality SBS board
- Delhi lock sides to keep edge from touching the frosting
- Includes adjustable inserts
- Adjustable inserts for both mini and regular cupcakes

Item#UNWB0633AI  
6-1/4 x 3-1/2 x 3-1/2" (500/CS)



Hinged for Easy Loading

## 2 Count Cupcake Double Window Gable Box w/Insert

- Made of high quality SBS board
- Window on each side for easy viewing
- Regular insert included
- Opens wide for easy loading

7 x 4 x 3-3/4 Item#UNWGB07431 (500/CS)



## 2 Count Clear Cupcake Packaging

- 1 piece hinged clear cupcake packaging
- Made of PET, ridged for extra strength and durability
- Perfect for cupcakes and muffins
- Easy load with snap-lock technology

Item#UNCLCPC2  
6-1/4 x 3-1/4 x 2-1/2" (1000/CS)

**OVEN-SAFE  
HEART-SHAPED TRAYS  
FOR SANTA & CHRISTMAS TREE**



## 9" Foil Red Heart Pan & Clear Lid

Tray Item#FPHRT9R (100/CS)  
Lid Item#FPLID9 (100/CS)



# Novacart Molds & Trays



Mini Tulip Cups	Regular Tulip Cups	Jumbo Tulip Cups
2x2-1/4" (2040/case)	2x3-1/2" (2000/case)	2x4-1/2" (2000/case)
Brown Scroll Item#NCN3J61327	Brown Scroll Item#NCN3J62607	Brown Scroll Item#NCN3J60183
Red Item#NCN1J61328	Red Item#NCN1J61178	Red Item#NCN1J60188
White Item#NCN1J61320	White Item#NCN1J60174	White Item#NCN1J60185
Brown Item#NCN1J61327	Brown Item#NCN1J62607	Brown Item#NCN1J60183

**Brioche Floret Baking Molds**  
 1-3/4 x 3" (4000/CS)  
 Item#NCPBA-01  
 1-7/8 x 3-9/16"  
 (2500/CS)  
 Item#NCPBA-02  
 3-1/2 x 7" (500/CS)  
 Item#NCPBA-03

**Small Tree Mold**  
 Item#NCALBERELLO  
 6-3/8 x 5-1/2 x 1-3/8  
 (320/CS)

**NCN1J50325**  
 2 x 1-1/4"  
 (8,000/CS)



**Large Tree Mold** Item#NCALBERO  
 12-1/4x9-1/2x2-3/8" (420/CS)  
**Small Tree Mold** Item#NCALBERELLO  
 6-3/8" x 5-1/2" x 1-3/8" (200/CS)

**Star Molds (6pt)**  
 Item#NCMONO-STELLA  
 5x1-3/8" (300/CS)

**Panettone Molds**  
 2 lb. Item#NCP134/95 (200/CS)  
 2-1/2 lb. Item#NCP155/102 (200/CS)  
 3 lb. Item#NCP170/110 (200/CS)  
 6-1/8 x 2-1/8" Dia. Tall baking mold  
 Item#NCM155/55 (540/CS)

**Attractive and Practical Trays...**  
 for cookies, petit fours, pastries, candies, and other foods. Top coating is impermeable to oils and moisture. More economical than plastic or aluminum. Panettone and shaped molds are attractive and convenient bake-in molds.



# Plastic Party Trays & Domes Combos



**Ornament  
Tray & Dome (50/CS)**  
Item#B28-000720  
11x14x2-1/2"  
3" Deep Dome  
with Assorted Colors



## Brightly Colored Shaped-Plastic Party Trays

*are perfect for pre-packed impulse buys.  
These trays are perfect for cookies, nuts, candies,  
petit fours and they are also ideal for a deli tray.*



**Small Green Tree  
Tray & Dome (36/CS)**  
11-1/2x10-1/2"  
2-1/2" Deep with Dome  
Item#B28-062595



**Holiday Star  
Trays & Domes (45/CS)**  
Assorted Colors:  
Red, Green & Silver  
Can hold 1 lb. of cookies  
10x2" Deep  
Item#B28-000699



**Christmas Tree Trays & Dome (30/CS)**  
13x12-1/4x1-1/2"  
2-1/2 Deep with Dome  
Red Tree Item#B28-030591  
Green Tree Item#B28-060592





# Ribbons, Bows, and Labels

Create The Perfect Gift  
with ribbons & bows



## Reel Ribbon Pull Bows

- Fine satin solid colors or holographic colors available
- Easily pulls from reel
- Forms 18 loops for a full bow
- Cost-effective way to decorate and wrap your holiday packages. Combine them with our Cel-U-Wrap, OPP bags, and Boxes.

Size: 4-3/4 Bows w/18 loops, Pack: 1 Reel/50 Bows

### Satin Reel Ribbon Pull Bows

White Item#WHITEREEL      Royal Blue Item#ROYALREEL  
Red Item#REDREEL          Silver Metallic Item#SILVMET  
Emerald Item#EMERLREEL      Gold Metallic Item#GOLDMET

### Holographic Reel Ribbon Pull Bows

Red Item#REDHOLO  
Emerald Item#EMERHOLO  
Gold Item#GOLDHOLO



Easily Decorate Your Packages  
With Custom Printed Ribbon  
add your logo or a seasonal message

## Custom Printed Satin Ribbon (Minimum 10 Rolls)

5/8" x 100 yd	7/8" x 100 yd	1-3/8" x 100 yd
Dyna Item#RIBDY5/8	Dyna Item#RIBDY7/8	Dyna Item#RIBDY1-3/8
Aqua Item#RIBAQ5/8	Aqua Item#RIBAQ7/8	Aqua Item#RIBAQ1-3/8



## Season's Greetings Gold Foil Label

- Made of gold foil for an upscale appearance
- Easily label any package for a holiday gift

4-1/8x2-3/4" Oval (500/Roll) Item#XLBSEASON



LEAD TIME 4-6 WEEKS





# Cel-u-Wrap & Oriented Polypropylene (OPP) Bags



## IDEA

CREATE A PARTY TRAY WITH CEL-U-WRAP AND BOW!



PRINTED PATTERNS, A SIMPLE DECORATIVE TOUCH FOR PARTY TRAYS & EVERYTHING ELSE YOU WRAP



Designs	Cel-U-Wrap (40 in. x 100 ft)	Item # 1 lb. bag (3.5 x 2 x 7.5 in.)	Item # 2 lb. bag (4 x 2.5 x 9.5 in.)	Item # 3 lb. bag (5 x 3 x 11.5 in.)
Clear	XCW40CLR	CLRGB-1	CLRGB-2	CLRGB-3
Candy Canes	XCW40CANCANE	CANCANEBG-1	CANCANEBG-2	CANCANEBG-3
Caroling Bells	XCW40CARBELL	CARBELBG-1	CARBELBG-2	CARBELBG-3
Critters	N/A	N/A	CRITBG-2	N/A
Gold Stars	XCW40GOLDSTAR	N/A	GOLDSTARBG-2	N/A
Gold Stripe	N/A	GLDSTPEBG-1	GLDSTPEBG-2	GLDSTPEBG-3
Green Tree	XCW40GRTREE	N/A	GRTREEBG-2	GRTREEBG-3
Holiday Wreaths	XCW40HOLWR	HOLWRBG-1	HOLWRBG-2	HOLWRBG-3
Ornaments	XCW40ORNA	ORNABG-1	ORNABG-2	ORNABG-3
Penguins	N/A	PENBG-1	N/A	PENBG-3
Peppermint Candy	XCW40PEP	N/A	N/A	N/A
R/G/G Diagonal Stripe	N/A	RGGSTPEBG-1	RGGSTPEBG-2	N/A
Ribbon & Bow	N/A	RIBONBG-1	RIBONBG-2	RIBONBG-2
Santa's Treats	N/A	STRBG-1	STRBG-2	STRBG-3
Snowflake	XCW40SNOFL	SNOFLBG-1	SNOFLBG-2	SNOFLBG-3
Snowman	XCW40SNOMN	SNOMNBG-1	N/A	SNOMNBG-3
Stockings	XCW40STOK	STOKBG-1	STOKBG-2	STOKBG-3
Tree Ornaments	XCW40TROR	TRORBG-1	TRORBG-2	TRORBG-3

Cel-U-Wrap packed per roll & Oriented Polyprop (OPP) Bags packed per 100.

Clear bags and wrap are also available. Please see our Oriented Polypropylene and Cel-U-Wrap flyer for additional designs.

## HARD BOTTOM-HEAVY WEIGHT ORIENTED POLYPROP (OPP) BAGS

Description	1/2 lb. Bag Item# 2 x 1-3/4 x 10"	1 lb. Bag Item# 2-3/4 x 2 x 11-1/2"	2 lb. Bag Item# 3-1/2 x 2-1/4 x 12-1/4"	3 lb. Bag Item# 4 x 2-1/2 x 13-1/4"
Clear	CLR1/2LB	CLR1LB	CLR2LB	CLR3LB

SQUARE HARD BOTTOM, HEAVY WEIGHT, ORIENTED POLYPROPYLENE BAGS ARE PACKED 100 PER CASE. MADE OF 2.1 MIL FDA APPROVED CRYSTAL CLEAR POLYPROPYLENE, WITH WHITE BOARD IN BOTTOM.





# Available in Festive Designs



Gold Stars



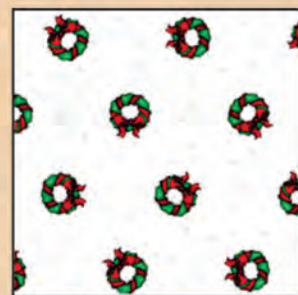
Green Tree



Peppermint Candy



Snowflake  
(white print on clear film)



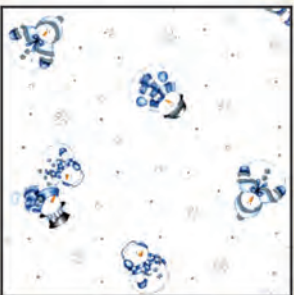
Holiday Wreaths



Caroling Bells



Ornaments



Snowman



Candycanes



Tree Ornaments



Stockings

Crystal Clear Polypropylene Film for Extra  
Aroma, Freshness, and Flavor Retention

Used for cookies, candies,  
other foods and more



Red/Green  
/Gold



Gold  
Stripe



Gold  
Stars



Snowflakes



Green  
Tree



Tree  
Ornaments



Stockings



Holiday  
Wreaths



Candy  
Canes



Caroling  
Bells



Santas  
Treats



Ribbon &  
Bow



Crittters



Ornaments



Snowman



Penguins



# Chocolate & Macaron Boxes

WAREHOUSE IS IN U.S.A. – AVAILABLE FOR IMMEDIATE SHIPMENT

- All truffle and candy packaging is a complete set for a finished look includes base, lid, cavity tray, and glassine
- Bright gold cavity tray to showcase your confections
- High quality and FDA approved materials
- Hot stamping available for an elegant branded finish
- Packed flat for cost-effective shipping



## Color and Size Examples:



RS-NE-20

RS-RED-15

RS-BK-10

RS-GR-8

RS-BL-6

RS-ORE-5

RS-NE-4

RS-RED-3

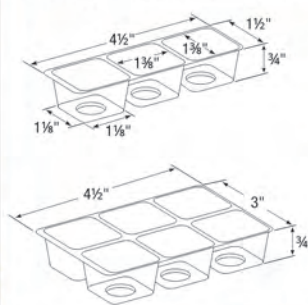
RS-WH-2

## Say goodbye to à la carte packaging

RS Boxes: All Items include base, lid, cavity tray, and glassine

Item Description	Product Size	Material Thickness	Case Pack	Brown Item Number	Red Item Number	Black Item Number	Green Item Number	Orange Item Number	Blue or White Item Number
2 Cavity	3 x 1½ x 1¾"	.016 SBS	600	RS-NE-2	RS-RED-2				RS-WH-2
3 Cavity	4½ x 1½ x 1¾"	.016 SBS	600	RS-NE-3	RS-RED-3				
4 Cavity	3 x 3 x 1¾"	.016 SBS	200	RS-NE-4	RS-RED-4				RS-BL-4
5 Cavity	7½ x 1½ x 1¾"	.016 SBS	200	RS-NE-5	RS-RED-5	RS-BK-5		RS-ORE-5	
6 Cavity	4½ x 3 x 1¾"	.016 SBS	200	RS-NE-6	RS-RED-6				RS-BL-6
8 Cavity	6 x 3 x 1¾"	.016 SBS	200	RS-NE-8			RS-GR-15		
10 Cavity	7½ x 3 x 1¾"	.016 SBS	200	RS-NE-10	RS-RED-10	RS-BK-10	RS-GR-20	RS-ORE-10	
15 Cavity	7½ x 4½ x 1¾"	.016 SBS	200	RS-NE-15	RS-RED-15	RS-BK-15		RS-ORE-15	
20 Cavity	7½ x 6 x 1¾"	.016 SBS	200	RS-NE-20	RS-RED-20	RS-BK-20		RS-ORE-20	

### Cavity Tray Dimensions



Cavity Count	Cavity Tray Size
2 Cavity	3 x 1½ x ¾"
3 Cavity	4½ x 1½ x ¾"
4 Cavity	3 x 3 x ¾"
5 Cavity	7½ x 1½ x ¾"
6 Cavity	4½ x 3 x ¾"
8 Cavity	6 x 3 x ¾"
10 Cavity	7½ x 3 x ¾"
15 Cavity	7½ x 4½ x ¾"
20 Cavity	7½ x 6 x ¾"



# Chocolate & Macaron Boxes

WAREHOUSE IS IN U.S.A. – AVAILABLE FOR IMMEDIATE SHIPMENT

## Red/White RS Box

- 2 Cavity Item# PN-RS-WH-2  
3x1-1/2x1-3/8" (600/CS)
- 2 Cavity Item# PN-RS-RED-2  
3x1-1/2x1-3/8" (600/CS)
- 3 Cavity Item# PN-RS-RED-3  
4-5/8x1-1/2x1-3/8"(600/CS)
- 4 Cavity Item# PN-RS-RED-4  
3x3x1-3/8" (200/CS)
- 5 Cavity Item# PN-RS-RED-5  
7-1/2x1-1/2x1-3/8 (200/CS)
- 6 Cavity Item# PN-RS-RED-6  
4-1/2x3x1-3/8" (200/CS)
- 10 Cavity Item# PN-RS-RED-10  
7x3x1-3/8" (200/CS)



## Blue RS Box

- 4 Cavity Item# PN-RS-BL-4  
3x3x1-3/8" (200/CS)
- 6 Cavity Item# PN-RS-BL-6  
4-1/2x3x1-3/8" (200/CS)

ALL TRUFFLE BOXES  
COME WITH CAVITY  
TRAY AND GLASSINE



## Green RS Box

- 15 Cavity Item# PN-RS-GR-15  
7-1/2x4-1/2x1-3/8" (200/CS)

ALL MACARON BOXES  
COME WITH TRAY



Easy Lock Auto Construction Candy Box Includes Cavity Tray and Glassine

PN-CH-NC-3004  
3x3x7/8"  
(400/CS)

PN-CH-NC-3006  
3x4-1/2x7/8"  
(400/CS)

PN-CH-NC-3009  
4-1/2x4-1/2x7/8"  
(300/CS)



# Chocolate & Macaron Boxes

WAREHOUSE IS IN U.S.A. – AVAILABLE FOR IMMEDIATE SHIPMENT

**White Royal Macaron Box (200/CS)**  
9-5/8x2x2-3/8"

White Box Item# PN-ROYAL-WH-1  
Champagne Box Item#PN-ROYAL-SPR-1



**Chocolate Box**  
**BOX #1 BLK (200/CS)**  
PN-NCTYPE-BK-T1  
3-3/4x1-7/8x1-3/4"

**Macaron Box No.6 (100/CS)**  
Ivory Item# PN-KO-IVM-6  
Black Item# PN-KO-BLK-6  
12x2x1-7/8"



**Champagne Royal Macaron Box**  
Item# PN-ROYAL-SPR-2  
9-5/8x4x2-3/8" (100/CS)



**Red Carrat**  
**90 Box (200/CS)**  
Item# PN-KARA-RED-90  
3-1/2x3-1/2x4"





# Gable & Candy Boxes

WAREHOUSE IS IN U.S.A. – AVAILABLE FOR IMMEDIATE SHIPMENT



## Drop Front Easy Opening and Loading Gable Boxes

**White**  
PN-OPL-WHP-9 (200/CS)  
8-1/4 x 10-5/8 x 3-1/2

**Green**  
PN-OPL-RIM-5 (500/CS)  
4-1/8 x 5-7/8 x 3-1/2  
PN-OPL-RIM-6 (400/CS)  
4-3/4 x 7 x 3-1/2

**Pink**  
PN-OPL-CHE-4 (500/CS)  
3-1/2 x 4-3/4 x 3-1/2  
PN-OPL-CHE-5 (500/CS)  
4-1/8 x 5-7/8 x 3-1/2

**Pink**  
PN-OPL-CHE-6 (400/CS)  
4-3/4 x 7 x 3-1/2  
PN-OPL-CHE-7 (300/CS)  
5-7/8 x 8-1/4 x 3-1/2



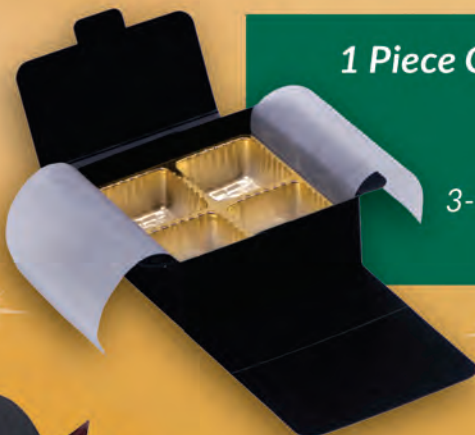
**Yellow**  
PN-OPL-LEM-6  
SIDE OPN BOX #6 (400/CS)  
4-3/4x7x3-1/2"



**Yellow**  
PN-OPL-LEM-7  
SIDE OPN BOX #7 (300/CS)  
5-7/8x8-1/4x3-1/2"



## 1 Piece Candy Box Includes Gold Cavity Tray and Glassine



**4 Piece**  
PN-TCN-BK-4  
3-1/8 x 3-1/8 x 1-1/4  
(100/CS)

**9 Piece**  
PN-TCN-BK-9  
4-1/2 x 4-1/2 x 1-1/4  
(100/CS)



PN-CH-NC-2012  
3-1/2x2-3/4x7/8"  
(400/CS)



PN-CH-NC-2016  
3-1/2x3-1/2x7/8"  
(400/CS)





# Cake Boxes & Cake Film

WAREHOUSE IS IN U.S.A. – AVAILABLE FOR IMMEDIATE SHIPMENT



## Drop Front Easy Opening and Loading Gable Boxes

### Twinkle

PN-TD-TWK-5 (100/CS)  
7-1/4X7-1/4X4-1/2

### White

PN-TD-SMJ-5 (100/CS)  
7-1/4X7-1/4X4-1/2  
PN-TD-SMJ-6 (100/CS)  
8-3/8X8X8-3/8X4-3/4

### White

PN-TD-SMJ-7 (100/CS)  
10X10X5-1/8  
PN-TD-SMJ-8 (100/CS)  
11-1/8X11-1/8X5-1/2

### Santa Land

PN-TD-SLAND-5 (100/CS)  
7-1/4X7-1/4X4-1/2  
PN-TD-SLAND-7 (100/CS)  
10X10X5

**REDUCED  
PRICE**

### Ivory

PN-TD-IVR-7 (100/CS)  
10X10X5-3/8



### Ganache Chocolate Boxes

PN-NCG-BR-6  
3-1/8 x 4-3/4x1-1/8  
(200/CS)



### Clear Cake Film

PN-SIDE-OP25-40300: 1-1/2 x 11-7/8 (10,000/CS)  
PN-SIDE-OP25-50300: 2 x 11-7/8 (10,000/CS)  
PN-SIDE-OP25-60300: 2-3/8 x 11-7/8 (10,000/CS)

### Cool Pack

PN-HAKU-COOLPACK-30-600  
1 oz (600/CS)





# Holiday Boxes & Trays

WAREHOUSE IS IN U.S.A. – AVAILABLE FOR IMMEDIATE SHIPMENT



**Noel Gold Trays | Small & Large (100/CS)**  
5-1/4X12": PN-T-NOG-L  
5-1/4x9": PN-T-NOG-S



**Noel Cake Box**  
PN-TN-WH-L (100/CS) PN-TN-WH-S  
5-1/2X12-1/4X5 5-1/2X9X5



**Round Gold Trays (100/CS)**  
7-1/8": PN-T-AGT-5-100  
8-1/4": PN-T-AGT-6-100  
9-7/8": PN-T-AGT-7-100  
11": PN-T-AGT-8-100



**Cake Tray**  
PN-GP-GPK-65  
2-1/2x3/8  
(4,000/CS)



**Brown Clear Box**  
PN-KO-BRC-120  
4-7/8X4-7/8X3-1/2  
(100/CS)



**Pudding Cup**  
PN-TR-182  
150CC (500)

**Lid**  
IPN-T-P-150F  
150CC Lid (3M)



**Dessert Cup**  
PN-SC-PR-H-1054550  
4-1/8X1-3/4X2 (6.1OZ) (400)  
PN-SC-PR-H-1054550 Lid



**Dessert Cup**  
PN-SHI-PP71-180  
71X72MM (6.19OZ) (1M)  
PN-SHI-PP71-TCF Lid (2000)



# TAKE ADVANTAGE

Free Shipping on Qualifying Orders  
Case Discounts & Volume Pricing  
Quick Order Processing & Turnaround Times  
Talk to Our Packaging Specialists Today!

## White & Kraft Insulated Coffee Cups

- Can Purchase in Sleeve Quantities
  - 12 oz White Item#HOTCP12U (600/CS)
  - 16 oz White Item#HOTCP16U (384/CS)
  - 12 oz Kraft Item#HOTCPKR12U (600/CS)
  - 16 oz Kraft Item#HOTCPKR16U (384/CS)
- Black Sip Lid for 12 & 16 oz Item#HOTCPLDBLSIP (1000/CS)

Highest Quality Hot Cup  
Heat Sealed Double Wall Insulation

PRINTING  
MINIMUM  
\$0M PER SIZE



EASY PERF & TEAR  
FOR 8, 16, 24, & 36  
PACKS

## MacMod48 - Small to Mini Macaron Tray

- Use as macaron tray inside of packaging or make a complete clamshell
- 48 count clear .012 PET smaller to mini macaron modular tray
- Perforated columns, easily turn a 48 piece tray into a 36, 24, 16, or 8 piece tray
- Snap-lock technology to create a top and bottom for full protection
- Perfect for wholesale and catering events
- Packed nested

Item#UNMACMOD48 13-7/16 x 9-11/16 x 7/8" (500/CS)

## MacMod20 - Standard Macaron Tray

- Use as macaron tray inside of packaging or make a complete clamshell
- 20 count clear .012 PET standard macaron modular tray
- Perforated columns that easily turn a 20 piece tray into a 15, 10, or 5 piece tray
- Snap-lock technology to create a top and bottom for full protection
- Has flat feet to keep the product upright
- Packed nested

Item#UNMACMOD20  
10-1/2 x 7-7/16 x 7/8" (500/CS)



EASY  
PERF & TEAR  
FOR 5, 10, & 15  
PACKS

## 9 Piece Standard Macaron Packaging

- Perfect for standard macarons, cookies, and truffles
- Crystal clear .012 PET for impulse purchases
- Auto construction with tuck ends for fast assembly
- Stylish black PET tray for easy side loading
- Flat pack with protective PET cover

Item#UNMAC9CLB  
7-3/4 x 2-1/4 x 2" (500/CS)



Easy loading tray

# UNGER

12401 Berea Road, Cleveland, Ohio 44111-1607  
Phone 1-800-321-1418 or Local 1-216-252-1400  
Fax 1-216-252-1427 Email info@ungerco.com  
Contact your packaging specialist or  
visit our website for more details [www.ungerco.com](http://www.ungerco.com)